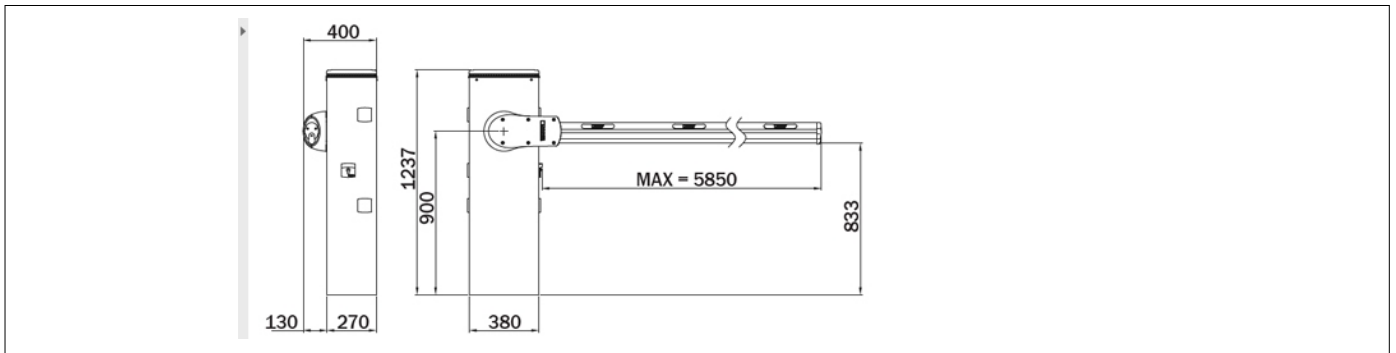


CODE	DESCRIPTION	PCS/PALLET
TS006	Automatic Barrier BRUSHLESS 36V DC super intensive use up to 6 meters, with operator and and built in digital control panel and absolute encoder on board.	6

PRODUCT TECHNICAL SPECIFICATIONS	
Barriers	Up to 6 mt long
Power line supply	230V AC - 50Hz
Motor power supply	36V DC
Electrical absorption	max 15A
Power rating	220W
Frequency of use	Super intensive use
Torque	10 - 300 N m
Operating temperature	- 20 + 55 C°
Protection level	IP54
Reductor Type	Irreversible
Opening time	4 ÷ 8 (sec)
Onboard control unit	CTRL Digital Controller 36V DC
Encoder	Digital native encoder + magnetic digital SENSORED, 4096 PPR
Accessories power supply	24V DC
Colour	Cabinet: painted RAL9006 arabesque grey - Head: black arabesque silver painted - Boom support: black arabesque silver painted - Boom: painted RAL9010 matt
Release system	European Key cylinder
Batteries recovery	Available (optional)

BUS synchronization Master/Slave	Yes
Operating cycles per day (opening/closing - 24 hours no stop)	4000 cycles
Maximum dimension product in mm (L x W x H)	380 x 270 x 1237
Product weight packed (Kg)	75,1
Number items per pallet	6

# PRODUCT DIMENSIONS AND PREPARING FOR INSTALLATION



DIMENSIONS

## PRODUCT ACCESSORIES

Fixed support for bars.	Fixing support, adjustable.	Fixing support with bolt predisposition for bars.	Fixing support adjustable, with bolt predisposition for bars.	Adjustable fixed support with vandal-proof magnetic suction cup complete with demagnetizer card.	Mobile support for bars.
Extension 20cm for mobile support.	White painted aluminum rod, 2 meters long, with LED cover profile and impact resisteng rubber profile.	White painted aluminum rod, 3 meters long, with LED cover profile and impact resisteng rubber profile.	White painted aluminum rod, 4 meters long, with LED cover profile and impact resisteng rubber profile.	White painted aluminum rod, 6 meters long, with LED cover profile and impact resisteng rubber profile.	Internal boom bar joint in anodized aluminum including fixing screws for bars.
Barrier skirting in aluminum, with stainless steel screws mounted on bronze bushings. Single module of length 2 meters.	Kit for emergency batteries charger for brushless digital controller CTRL 36V DC with plug-in card, with 2 recovery batteries 12V DC, 4.5 Ah. Kit for barrier.	Plug-in card, batteries charger, for brushless digital controller CTRL 36V DC, without recovery batteries, for BIONIK barrier.	Battery 12V 4.5 Ah (1 pc).	Hybrid inverter, "Network Assisted" version, for powering the automation. Also provides a battery-charger function thanks to the connection to the solar panels or mains supply for powering the 36V DC brushless digital controllers with a mains voltage of 230V AC.	Hybrid inverter, "Network Assisted" version, for powering the automation. Also provides a battery-charger function thanks to the connection to the solar panels or mains supply for powering the 36V DC brushless digital controllers with a mains voltage of 115V AC.
Hybrid inverter, "Full Solar" version, for powering the automation. Also provides a battery-charger function thanks to the connection to the solar panels for powering the brushless digital controllers.	Fixing plate with stay bolts and screws	Fixing plate, inox AISI 304 version, with stay bolts and screws	Fixing plate	Post for photocells- for spaced installation on a barrier cabinet (+23cm).	Post for photocells for spaced installation on a barrier cabinet (+23 cm).



Signal status board, 2 output for CTRL - CTRL/P



RGB boom light and traffic light control device for CTRL.



Module WI-FI B-CONNECT - Remote management and programming system in IP and CLOUD web browser mode via WI-FI hot spot P2P connection for Brushless control units



Spring diameter 83 mm for barriers.



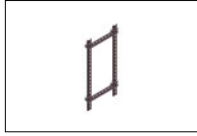
Spring diameter 85 mm for barriers.



Loop detector for 1 loop, 2 output, 24V AC/DC.



Loop detector for 2 loop, 2 output + output alarm, 24V AC/DC.



Kit DIN rail with magnetic support.



Cable passage kit with magnetic support for barriers.



12-metre LED strip with connection cable for barrier boom (red colour).



12-metre RGB LED strip with connection cable for barrier boom.



RGB LED strip with connection cable for barrier header.



Pack of 20 stickers for barrier.



Pack of 40 stickers for barrier.